

SAC-3P- 5,0-PUR/M12FR-2L

Order No.: 1694415



Sensor/actuator cable, 3-pos., PUR halogen-free black, free conductor end on angled M12 socket with two LEDs, cable length: 5 m

Commercial data

EAN	4017918178284
Pack	1 Pcs.
Customs tariff	85444290
Weight/Piece	0.1376 KG
Catalog page information	Page 64 (PC-2007)

Product notes

WEEE/RoHS-compliant since:
09/25/2006

**Technical data****General data**

Nominal current I_N	4 A
Nominal voltage U_N	24 V
Number of positions	3
Volume resistance	$\leq 5 \text{ m}\Omega$
Insulation resistance	$\geq 100 \text{ M}\Omega$

Length of cable	5 m
Ambient temperature (operation)	-25 °C ... 90 °C (plug/socket)
	-40 °C ... 80 °C (cable, fixed installation)
	-5 °C ... 80 °C (cable, flexible installation)

General characteristics

Coding	A - standard
Inflammability class acc. to UL 94	HB
Surge voltage category	II
Pollution degree	3
Degree of protection	IP65/IP68/IP69K
Contact material	CuSn
Contact surface material	Ni/Au
Contact carrier material	TPU GF
Material of grip body	TPU, hardly inflammable, self-extinguishing
Material, knurls	Zinc die-cast, (nickel-plated)
Sealing material	NBR
Status display	2 LEDs

Conductor data

Cable type	PUR halogen-free black
Cable abbreviation	Li9Y11Y
Conductor cross section	0.34 mm ²
AWG signal line	22
Conductor structure, signal line	42x 0.10 mm
Core diameter including insulation	1.27 mm ±0.02 mm
Thickness, insulation	≥ 0.21 mm (Core insulation)
	≥ 0.76 mm (Outer cable sheath)
External cable diameter	4.40 mm
Wire colors	Brown, blue, black
External sheath, color	Black-gray RAL 7021
Insulation resistance	≥ 100 GΩ*km
Conductor resistance	≤ 58 Ω/m
Nominal voltage, conductor	300 V
Test voltage, conductor	3000 V
Overall twist	3 wires, twisted

Outer sheath, material	PUR
Material conductor insulation	PP
Conductor material	Bare Cu litz wires
Cable weight	26 kg/km
Smallest bending radius, movable installation	44 mm
Max. bending cycles	4000000
Bending radius	44 mm
Traversing path	10 m
Traversing rate	3 m/s
Acceleration	10 m/s ²
Special properties	Flexible cable conduit capable
Flame resistance	As per UL-Style 20549
Freedom from halogen	As per DIN VDE 0472 part 815

Certificates / Approvals



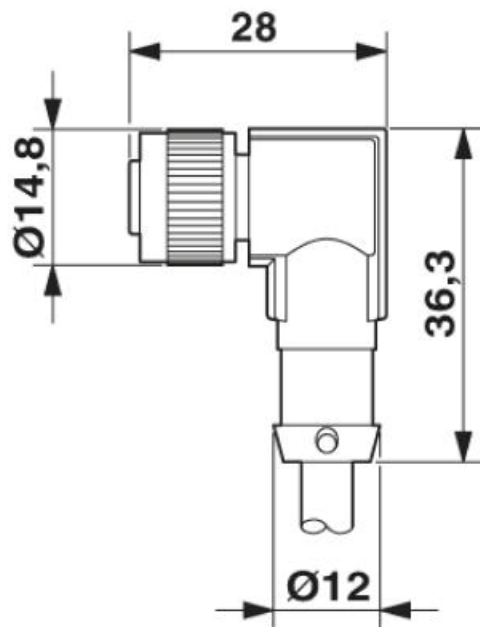
Certification

CUL Listed, GOST, UL Listed

Drawings

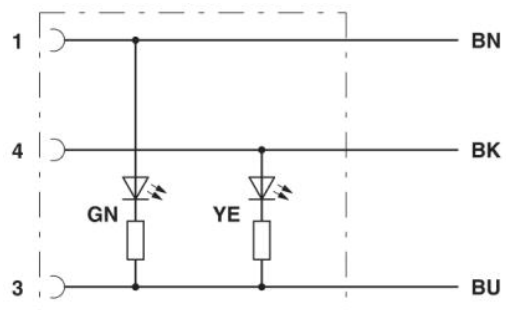
Dimensioned drawing

Socket M12 x 1, angled, with LED



Circuit diagram

Contact assignment of M12 sockets with 2 LEDs



Schematic diagram

Pin assignment M12 socket, 3-pos., A-coded, view female side

